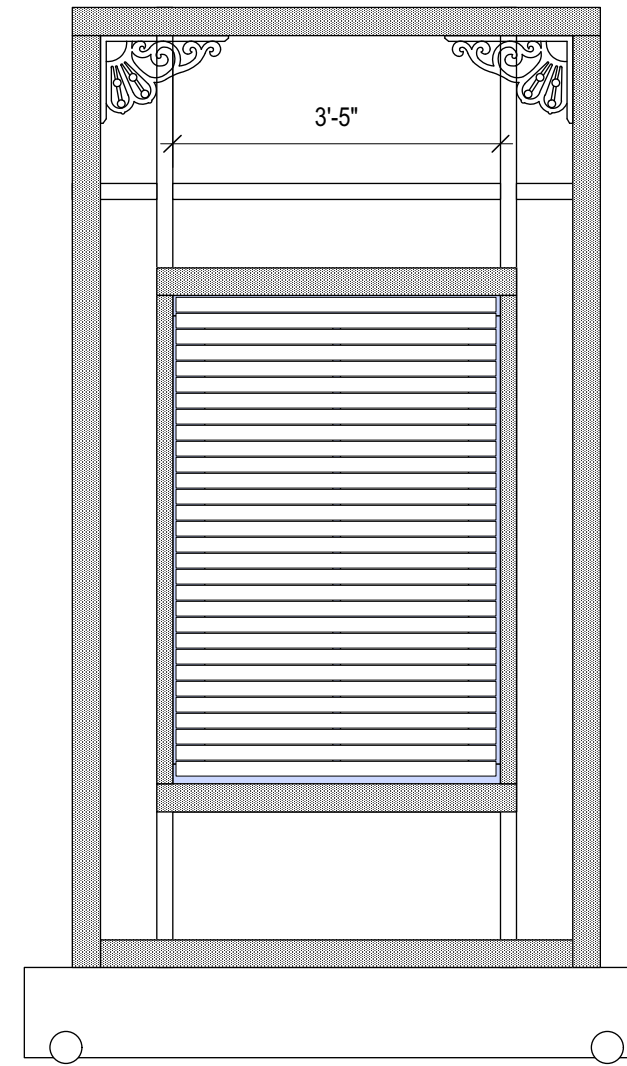
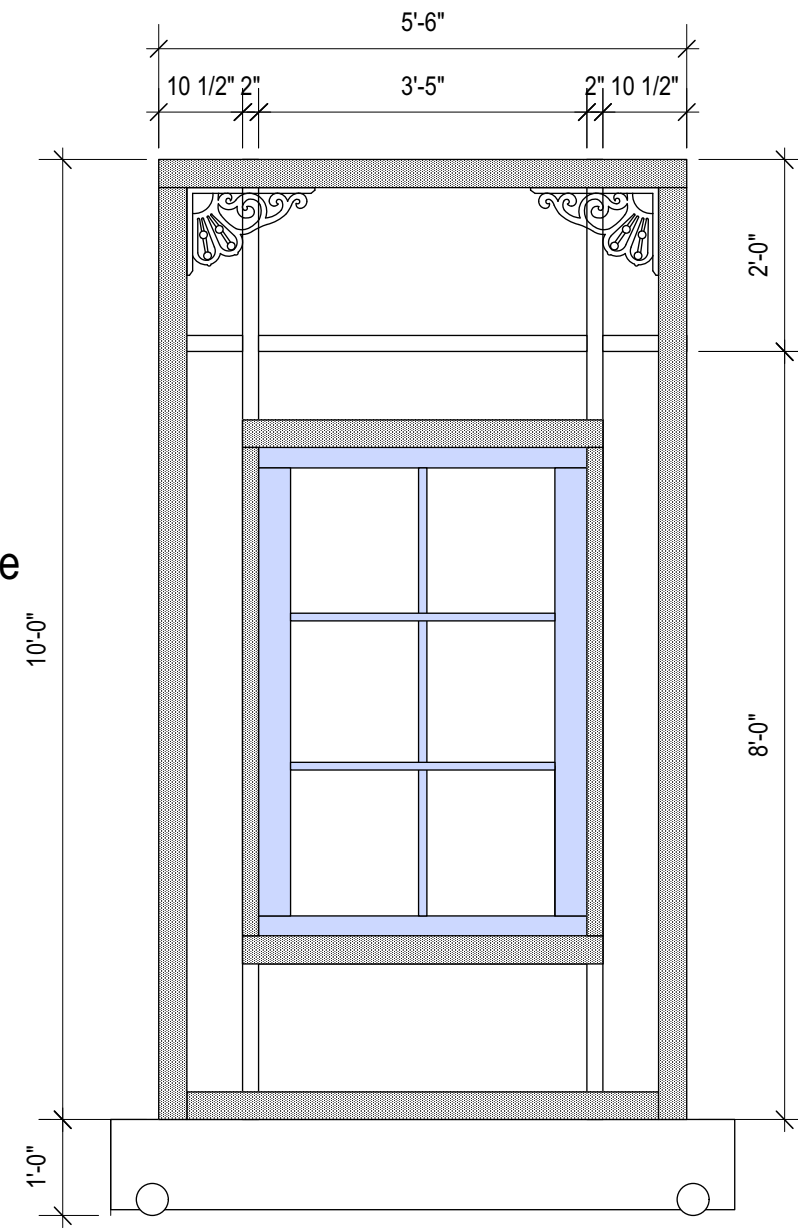


Make 2

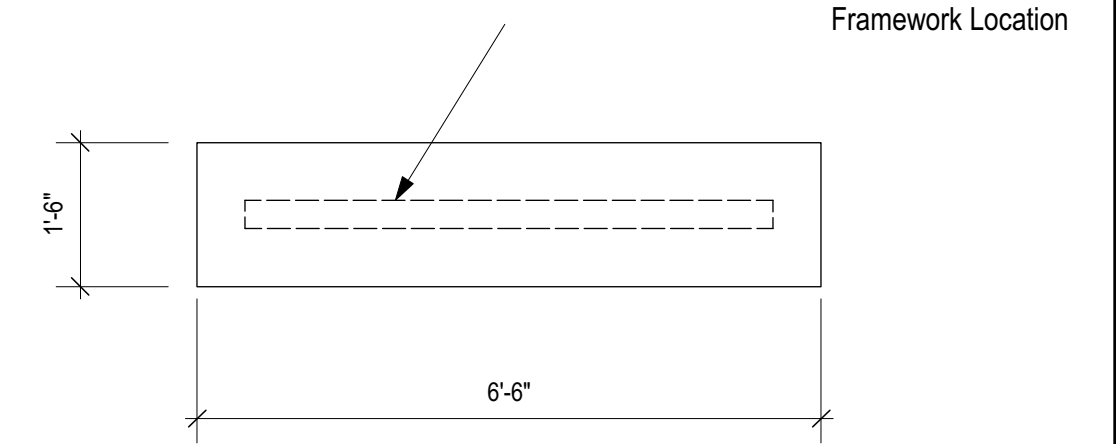
Composite View:

White= 2x2 Square Steel
 Gray= Clear 1x pine attached to front face of 2x2 steel
 Blue= Clear pine Attached to back face of 2x2 steel

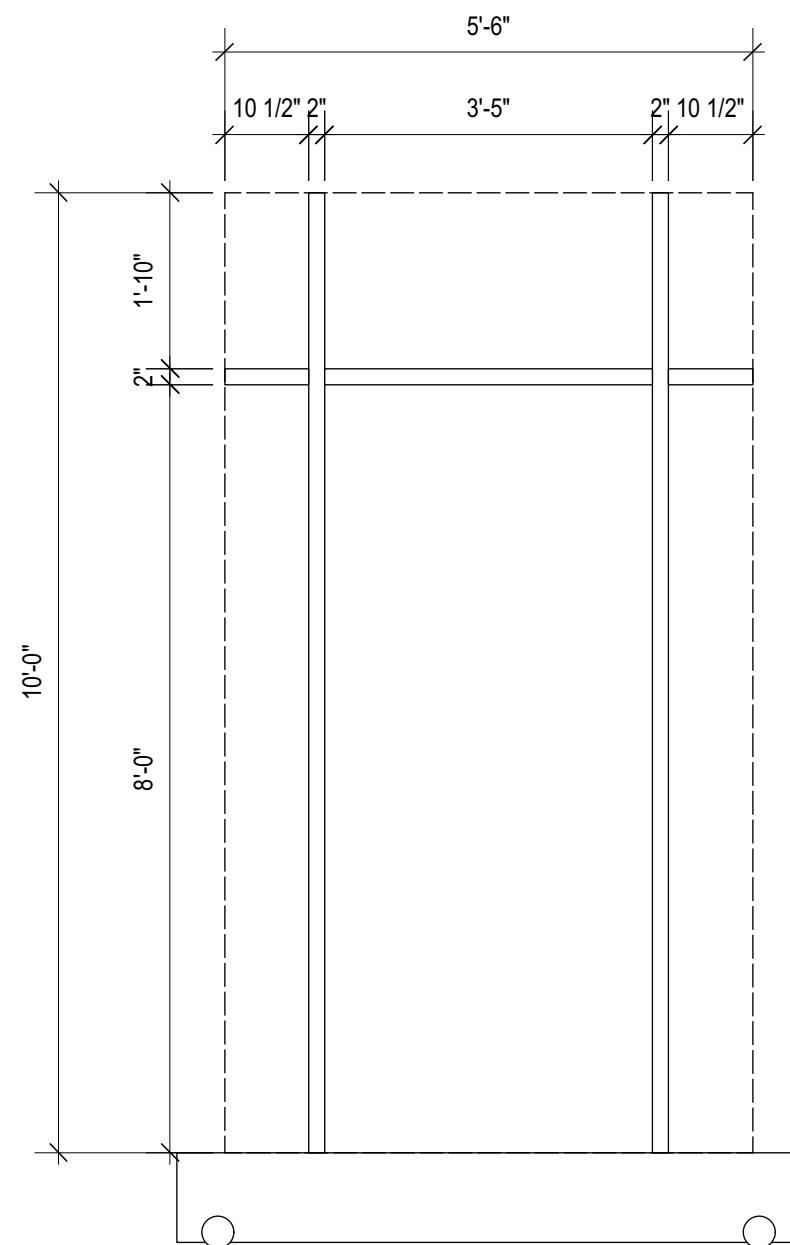
See details of each layer below.



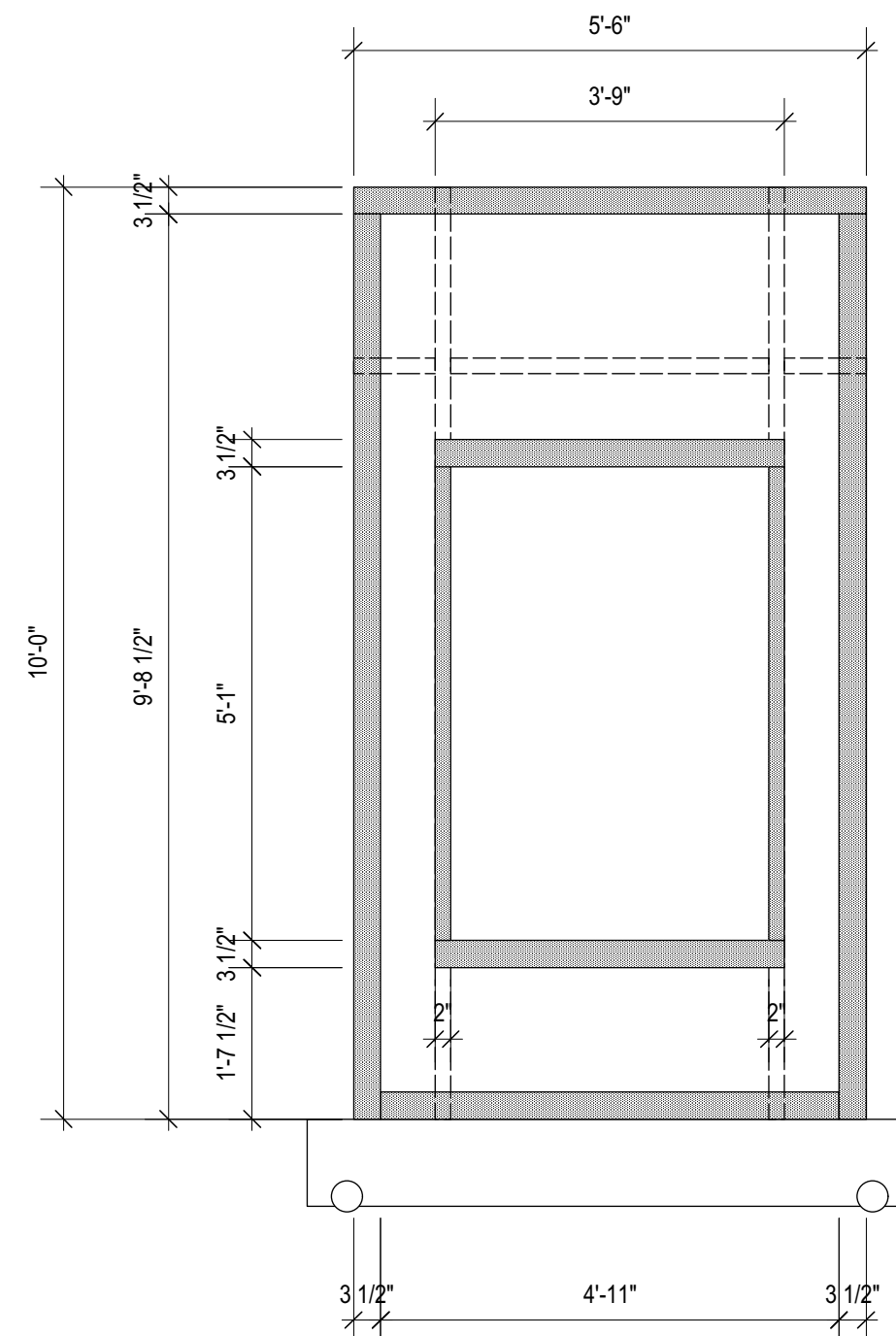
Add 41" x 60" Wood slat shutters for Act 1: Interior Scene
 Shutter Operation should be with string control rather than rotating wand



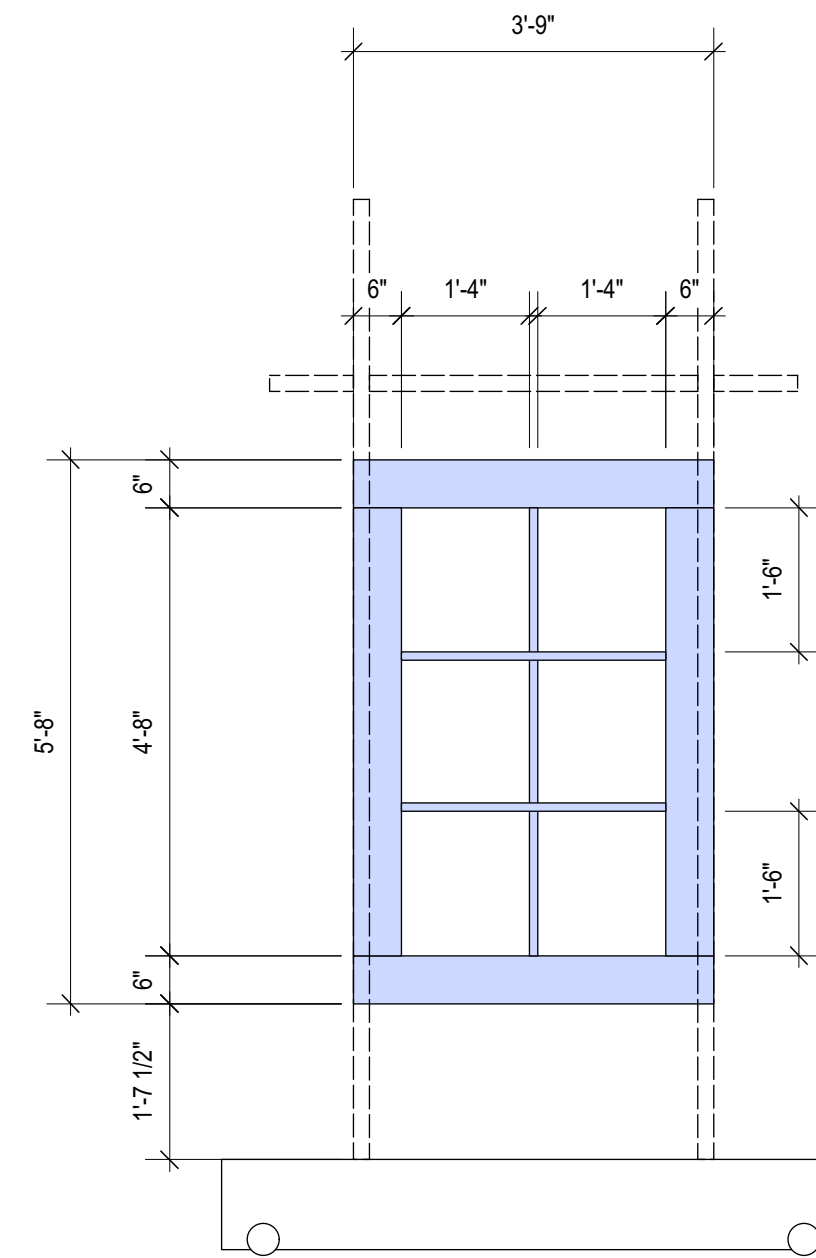
Top View of Base:
 12" high with wheels.



2 x 2 Square steel Detail



Clear 1x Pine Detail
 Attached to front face of steel



Clear 1x Pine Detail
 Attached to rear face of steel

Production Name	Cloud 9	
St. Olaf Kelsey Theater		
Drawing Name	Stage Right-Left Window Units	
Date: 10/1/19	Scale: 1/2" = 1'-0"	
Name: B. Bjorklund	Revision:	